

## PECIFICATION AND FEATURES

<b>DESCRIPTION</b> Can size: <b>Ø180/165 x h</b> Customer: <b>General</b> Closure: <b>Clamping ring</b> Type: <b>UN mark</b> Customer end: <b>UN lid with clamping ring</b> Pallet type: <b>Euro</b>  Internal body coating: <b>Plain</b>					
<b>BODY</b>	Material	Tinplate		Material	Tinplate
	Thickness	0.28		Thickness	0.28
	Tin coating	E2,8/2,8		Tin coating	E2,8/2,8
	Code	6393		Feature	2 Welded ears
	Side seam	Welded		<b>BAIL HANDLE</b>	
	Side stripe inside	-			
	Coating inside	Plain			
	Coating outside	Plain/lacquered/decorated		Material	Zinc coated wire 2.8 mm
				Feature	Trapezoidal shape
<b>BOTTOM</b>	Material	Tinplate	<b>CUSTOMER END</b>	Material	Tinplate
	Thickness	0.30		Thickness	0.32
	Tin coating	E2.8/2.8		Tin coating	E2.8/2.8
	Code	878 UW		Code	99
	Compound type	TDV 791		Feature	Lever lid
	Coating inside	Plain		Coating inside	Plain
	Coating outside	Plain		Coating outside	Plain
				Mass (g) +/- 5%	143.0
<b>CLOSURE</b>	Type	Clamping ring			
	Feature	Locking pin: DOS0053392			
	Material	Zinc coated steel			
	Thickness	1.00			
	Tin coating	-			
	Mass (g) +/- 5%	71			

Remark: Tinplate according to EN10202

### CAPACITIES, WEIGHTS AND DIMENSIONS

H	Mass +/- 5% (g)	Nom. volume (ml)	Brimfull volume acc. ISO 90/2 (ml)	Location bail handle (mm)	Factory finished can height (mm)
194	353.4	4000	4380	67 ± 5	194 +1,0/-0,5
235	399.5	5000	5375	108 ± 5	235 +1,0/-0,5

### OTHER

Embossing of UN mark in lever lid: UN1A2/Y1.2/100/--/NL/TDV 441

TNO approval, provided that the can is assembled with IMP closing equipment

### CONTAINER PERFORMANCE

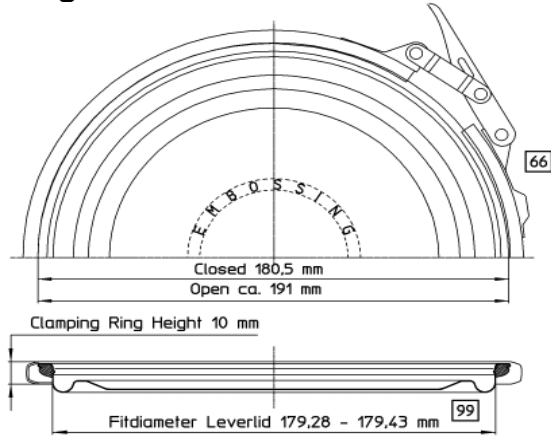
*As product compatibility is the responsibility of the customer, Ardagh gives no fit for purpose warranty and recommends that pack tests are performed prior to filling and would be pleased to provide technical support on this subject prior to purchase*

The Quality Assurance System has been approved by Lloyd's Register Quality Assurance ISO 9000

Modification of specifications reserved

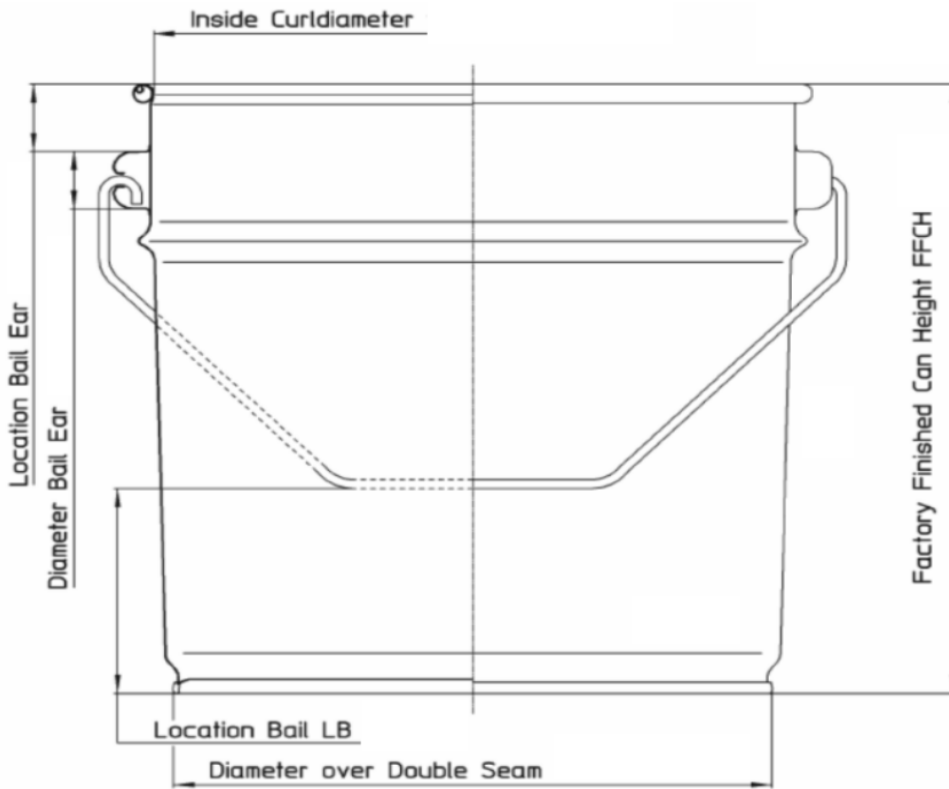
Mus Verpakkingen BV Customer information	<b>Date:</b> 8-9-2014 <b>Author:</b>	<b>Size:</b> Ø180/165 x h <b>Type:</b> UN mark	<b>General</b>
---	---	---	----------------

**Drawings**



Lever lid with UN mark and clamping ring

Code: 99



**DIMENSIONS**

Inside curl diameter	179,1 ± 0,05	Location Bail Ear	21-22
Diameter over double seam	168.00 ± 0,25	Diameter Bail Ear	18,34 ± 0,20

**CAN DRAWING**

Code: 6393

The Quality Assurance System has been approved by Lloyd's Register Quality Assurance ISO 9000

Modification of specifications reserved

Mus Verpakkingen BV Customer information	<b>Date:</b> 8-9-2014	<b>Size:</b> Ø180/165 x h	<b>General</b>
	<b>Author:</b>	<b>Type:</b> UN mark	

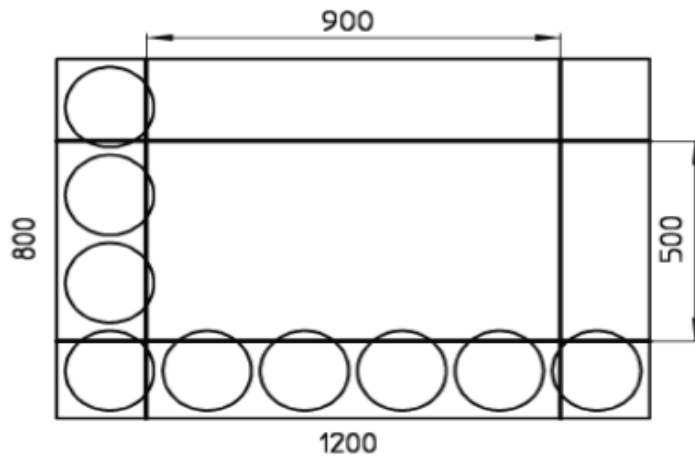
## Packaging details

Pallet type: Euro  
 Packaging method: Cans stacked, covered by cardboard and wooden frame  
 Coverage: Stretch film

Can height	no. of stacks	no. of cans per stack	Total no. of cans per pallet	Total pallet height
194	6 x 4 = 24	17	408	1190
235	6 x 4 = 24	16	384	1210

Remark(s):

### Pattern



The Quality Assurance System has been approved by Lloyd's Register Quality Assurance ISO 9000

Modification of specifications reserved

Mus Verpakkingen BV  
 Customer information

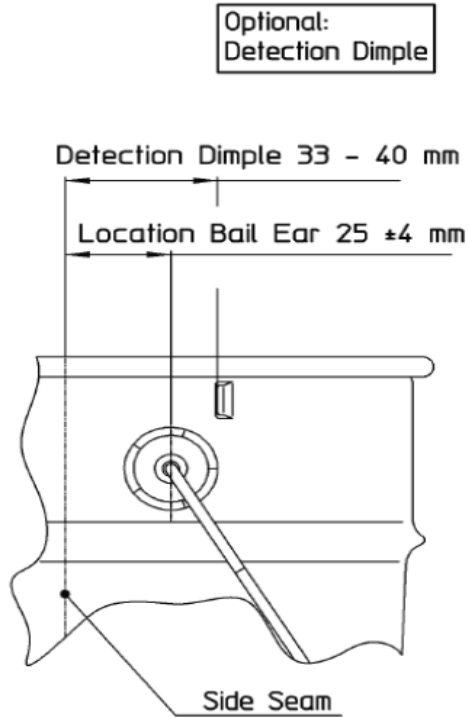
**Date:** 8-9-2014  
**Author:**

**Size:** Ø180/165 x h  
**Type:** Clamping ring

**General**

## Appendix: Additional information

Location of bail ear



The Quality Assurance System has been approved by Lloyd's Register Quality Assurance ISO 9000

Modification of specifications reserved

Mus Verpakkingen BV Customer information	<b>Date:</b> 8-9-2014	<b>Size:</b> Ø180/165 x h	<b>General</b>
	<b>Author:</b>	<b>Type:</b> Clamping ring	