

Aerosol can specifications

15.0 bar

Ø57/52 x h

Dimensions: Ø57/52 x h
Test pressure: 15.0 bar
Description: Aerosol can, necked-in
Internal lacquer: Internally plain
Customer: General

Cans produced according to: FEA - standards of September 1993 and corresponding EN norms ISO 90-3, TRG 300, EC 75/324 amended by EC 94/1 and 2008/47/EC and 2013/10/EU, European norm 10333

Material: Tin plate according to EN10202: 2001
Sideseam: WIMA welded, with or without nitrogen

Pressure specification: Minimal deformation pressure: 15 bar
 Minimal burst pressure: 18 bar

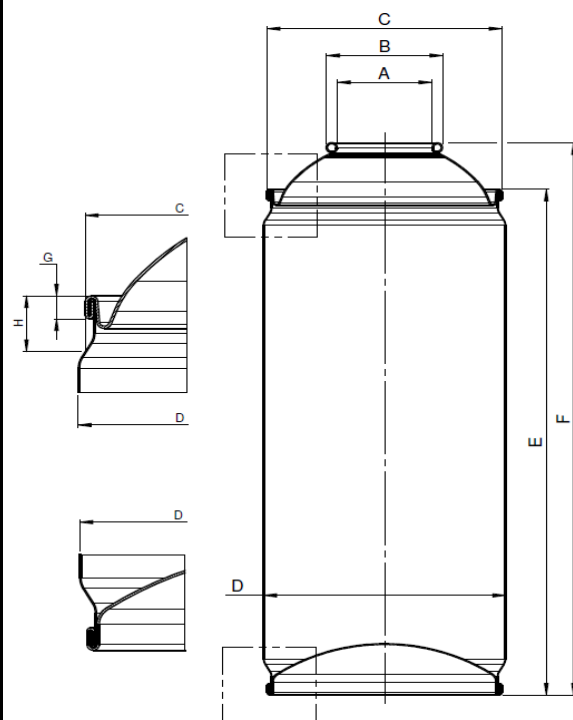
Print: If, multicolored offset print (print inks free of heavy metals) plus clear varnish

Tinplate specifications:

	Body	Top	Bottom
Tinning	E 2.0 / 2.0	D 4.0 / 2.8	E 2.8 / 2.8
Finish	Fine Stone	Fine Stone	Fine Stone
Thickness (mm)	See 'data per can height'	0.31	0.26

Dimensions:

	Nominal	Tolerance
Body diameter (D)	57.6	± 0,3
1-inch opening internal (A)	25.4	± 0,1
1-inch opening external (B)	31.2	± 0,2
Contact height	4.0	± 0,15
Overseam diameter of cone (C)	55.5	± 0,3
Seam length of cone (G)	3.3	± 0,15
Tangent line (H)	6.0	+0,5 / -0,0
Snaplock diameter (J)	n.a.	
Snaplock depth (K)	n.a.	



Data per can height:

	Nominal height	164	207	234	257				Tolerance
Height over double seam (E)		164	207	234	257				± 0.5 mm
Overall height (F)		173.5	216.5	243.5	266.5				± 0.7 mm
Nom. fill volume (liq. prop.)		300	400	450	500				
Nom. fill vol. (compr. gas)		250	300	350	400				
Brimfull capacity (ml)		405	520	590	650				see EN15007
Body thickness (mm)		0.17	0.17	0.17	0.17				
Weight (g)		57.9-64.0	67.7-74.8	73.9-81.7	79.1-87.5				

Internal lacquer system(s):

Not lacquered
Body: -
Side stripe: -
Top: -
Bottom: -

External lacquer:

Body: White/transparant primer + Decoration + glossy/mat finishing lacquer
Side stripe: None / With side stripe
Top: Clear / White varnish
Bottom: Clear / White varnish

Container performance:

Each new combination of aerosol specification and product must be testpacked by the customer, unless otherwise agreed between Mus Verpakkingen BV and the customer. All can sizes are 100% tested on micro leakage and a pressure of 10 bar. Micro leakage is here defined as 3 cm³/min gas leakage at a pressure of 10 bar.

Delivery:

Cans in compression pack on one-way or returnable pallets with stretch film

Palletization:

Can size	Euro pallet (1200x800)		Industry pallet (1200x1000)		TDV pallet (1420x1120)	
	No. of cans	Total height	No. of cans	Total height	No. of cans	Total height
Ø57/52 x 164	1800	1211	2280 [2660]	1191 [1365]	3036	1190
Ø57/52 x 207	1500	1253	1900 [2280]	1233 [1449]	2530	1232
Ø57/52 x 234	1200	1144	1520 [1900]	1124 [1368]	2024	1124
Ø57/52 x 257	1200	1236	1520	1216	2024	1215

Remark: [...] = no. of cans when a Megatrailer is used for transport

Rev. date: 16-5-2013

Date of issue: 25-7-2016
 Expiry date: 25-7-2017