

Packaging item:

Closure N12 AF GED

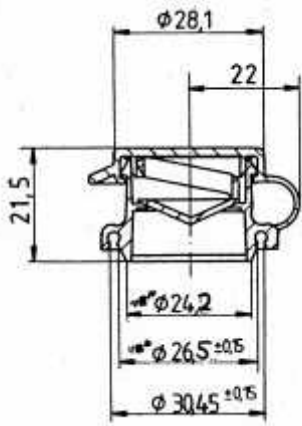
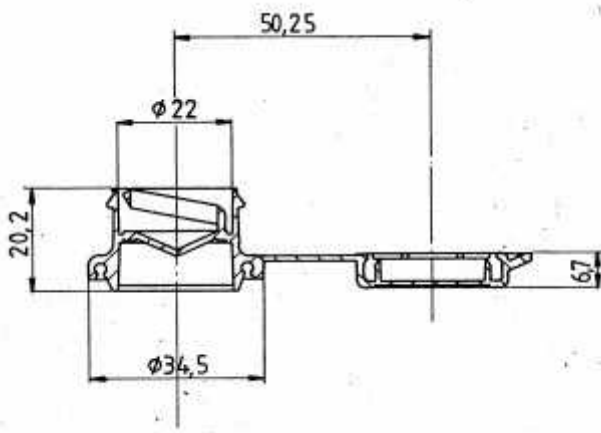
Date:

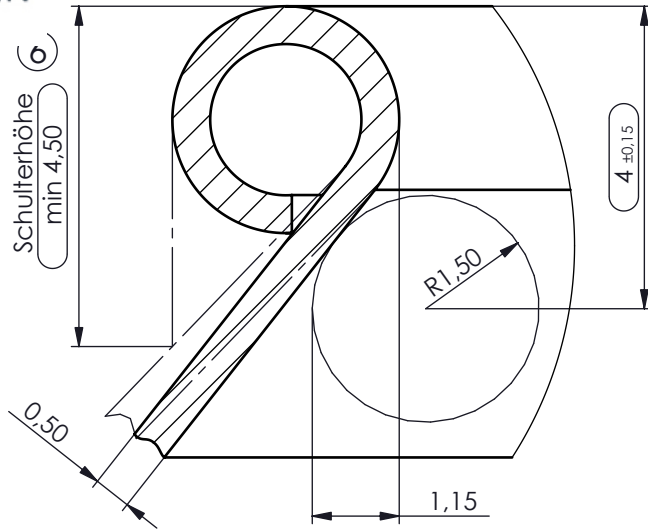
1-11-2012

Internal code:

N/A

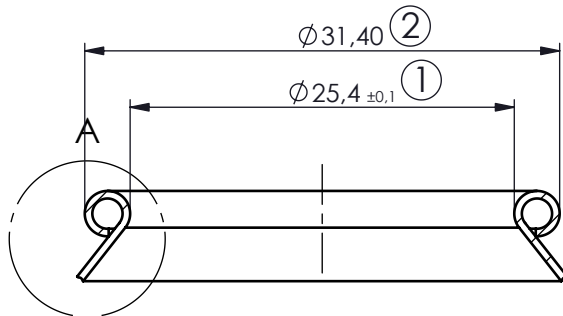
General product specification		
Description	N12 AF GED	
	Pouring closure for aerosol containers with 1 inch opening, one piece, PE made. Base with tamper evidence tear-off seal and attached reclosing cap with bore seal.	
Product properties		
Components	Resin LDPE General	
Storage		
Storage temperature	Minimum	10°C
	Maximum	28°C
	Pallets should be stored in a clean dry area away from UV light, smells and high temperature variations. Pallets should not be double stacked.	
	Closures are to be used within 12 months after date of delivery.	
Application		
Application temperature	Minimum	18°C
	Maximum	28°C
	Min. Head pressure	500 N
	Meeting the above requirements does not absolve the customer from the requirement to set up the capping equipment as required and from carrying out compatibility test between the applied closure and filled product.	
	Technical assistance can be provided by Mus Verpakkingen BV.	
Packaging		
Weight (gr)	5,52 gr ± 10%	
Packaging	Carton 3000	pcs./carton
	Cartons/pallet	20
Remarks		
Tolerances	Customer drawing tolerances relate to the results of measurement averages, except for ovality. Ovality tolerances depend upon transport conditions, packaging media, vibration and temperature.	





Maße für die Verwendung
von Einprellverschlüssen

DETAIL A
MAßSTAB 10 : 1



Oberbodenform innerhalb
der Maße frei wählbar !

SCHNITTDARSTELLUNG A-A
MAßSTAB 2 : 1

