

Product specification

Product hierarchy / Date
1143209 / 06.09.2016

Page 1 / 2

General product information

Product hierarchy: 1143209
 Product description: VUL/SK24/12 CR RELPEALU
 Closure fitting for tin plate containers with 24mm REL-piercing. Two piece, PE made. Base with Alu-permeation barrier. Screw cap, ergonomic shaped, 12mm high, with boresal, with child resistant function.
 Weight: 5,88 G +/-10%
 Customer drawing no.: ENG-00-001001

Customer drawing tolerances relate to the results of measurement averages, except for ovality. Ovality tolerances depend upon transport conditions, packaging media, vibration and temperature.

Neck material: HDPE/PP
 Neck finish drawing no.: ENG-00-001230

Containers must meet BERICAP drawing specifications.

Child resistance is in accordance with Standard ISO 8317 (2003). The distributor / bottler of the packaging is responsible for guaranteeing the function of child resistance for the total packaging (container, filling material, closure) over the corresponding life span. MSU VERPAKKINGEN BV points out explicitly that aggressive filling materials can affect the function of child resistance of the closure negatively. Child resistance function has to be examined by the distributor / bottler, before the total packaging is launched to the market.

Product properties

Components: Resin LDPE General Resin HDPE General IHS PE liner

Pack. unit:	575X380X373 mm		
Qty/pack. unit:	3.500	0	0
Pallet:	1200X800 mm		
Pack. units/pallet	20	0	0

Storage

Min. storage temperature: 10 °C
 Max. storage temperature: 28 °C

Pallets should be stored in a clean dry area away from UV light, smells and high temperature variations. Pallets should not be double stacked. Closures are to be used within 12 months after date of delivery.

The characteristics of the product are additionally fixed in separate process-, inspection- and sampling plans. Not subject to our automated up-date service.

Application

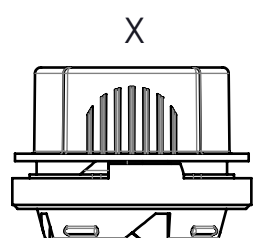
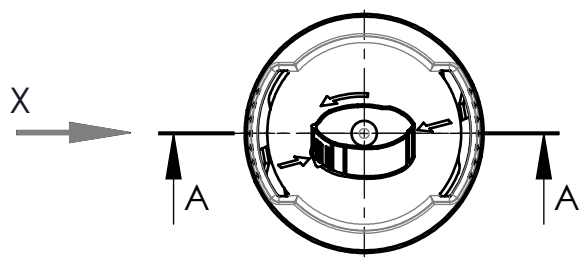
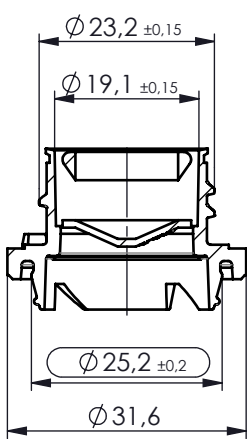
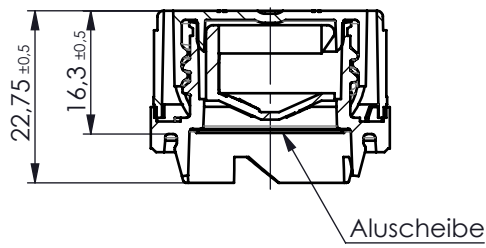
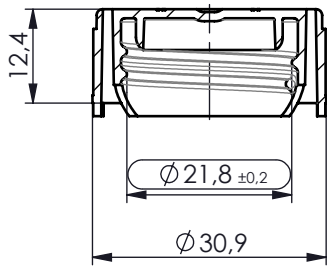
Min. application temperature: 18 °C

Max. application temperature: 28 °C

Minimum head pressure: 300,0 N

Meeting the above requirements does not absolve the customer from the requirement to set up the capping equipment as required and from carrying out compatibility tests between the applied closure and filled product. Technical assistance can be provided by MUS VERPAKKINGEN BV.

A-A



- gauge dimension

Postmolding ovality dimensions can be influenced by packaging and logistics
Nominal Diameters are defined as mean of two rectangular measurements

Tolerances unless otherwise stated:

Dimension	0-3	3-6	6-10	10-15	15-22	22-30	30-40	40-53	53-70
Tolerance	±0,15	±0,17	±0,2	±0,24	±0,28	±0,33	±0,39	±0,47	±0,58

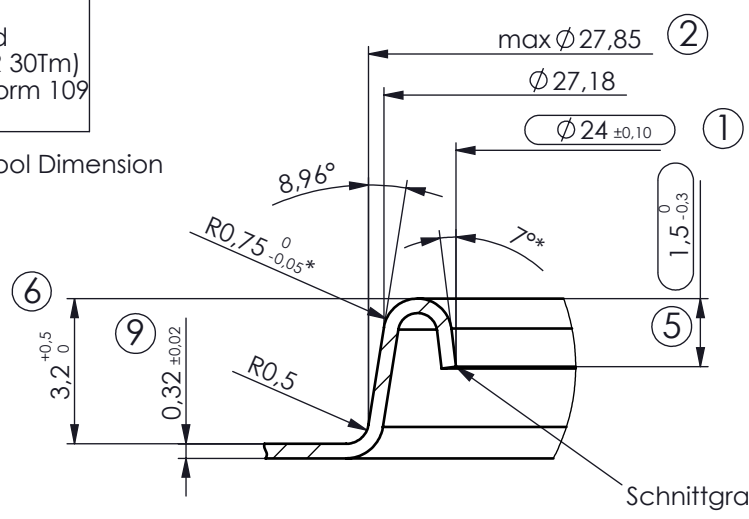
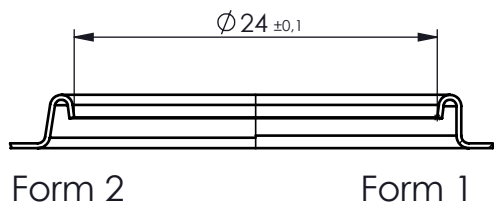
Mus Verpakkingen BV	for internal use only	Sheet
	Proj.No.	1
	Art.No. PAR-00-0000382	1 Sh.
3D-Modell No. ENG-00-028855		

Iss.	Change	Date	Name	Drawn Approved	Date	Name	Tolerance ISO 8015	Category Customer drawing	Title Screw cap VUL/SK24/12 CR RELPEALU		
							Surface: DIN ISO 1302 (Ra)				
							Scale: 1:1			metric	Master-Producthierarchy No. 1143209
							DIN A4			Drawing No. ENG-00-001001 b	

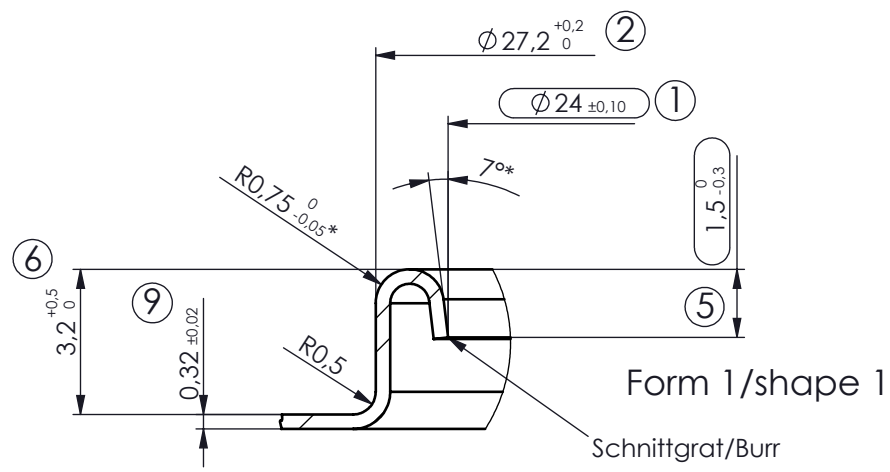
3
Einstblech:
nach Absprache
Harte: 51±4 (HR 30Tm)
Euro-Norm 109
DIN EN: 13029

Tinplate-Blackplate:
Gauge as agreed
Hardness: 51± (HR 30Tm)
Euro-Norm 109
DIN EN: 13029

*Werkzeugmass/Tool Dimension



Form 2 /shape 2
(stapelfähig/nestable)



Form 1 /shape 1

Excerpt from DIN 16901 series 150

Dimension	0-3	3-6	6-10	10-15	15-22	22-30	30-40	40-53	53-70
Tolerance	±0,15	±0,17	±0,2	±0,24	±0,28	±0,33	±0,39	±0,47	±0,58

Mus Verpakkingen BV	Current Neck No.	NCK-00-000138	Sheet 1
	Prev. Neck No.	L1400.01	
	3D-Modell No.	ENG-00-012277	1 Sh.

Material				This drawing is the property of Mus Verpakkingen BV. It is confidential and must not be copied or shown to third parties.	
Tolerances unless otherwise stated: DIN 16 901 150		DIN ISO 1302 (Ra)		Title: Finish/Aperture L-piercing 24 mm REL	
Drawn	Date	Name	Category: Finish-/Aperture drawing		
Approved	28.07.05	Lohmann	Drawing No.: ENG-00-001230 a		
Scale: 1:1		metric		Import No.: L14001g	
SW drawing		12.11.07	BS	DIN A4	
Change		Date	Name		