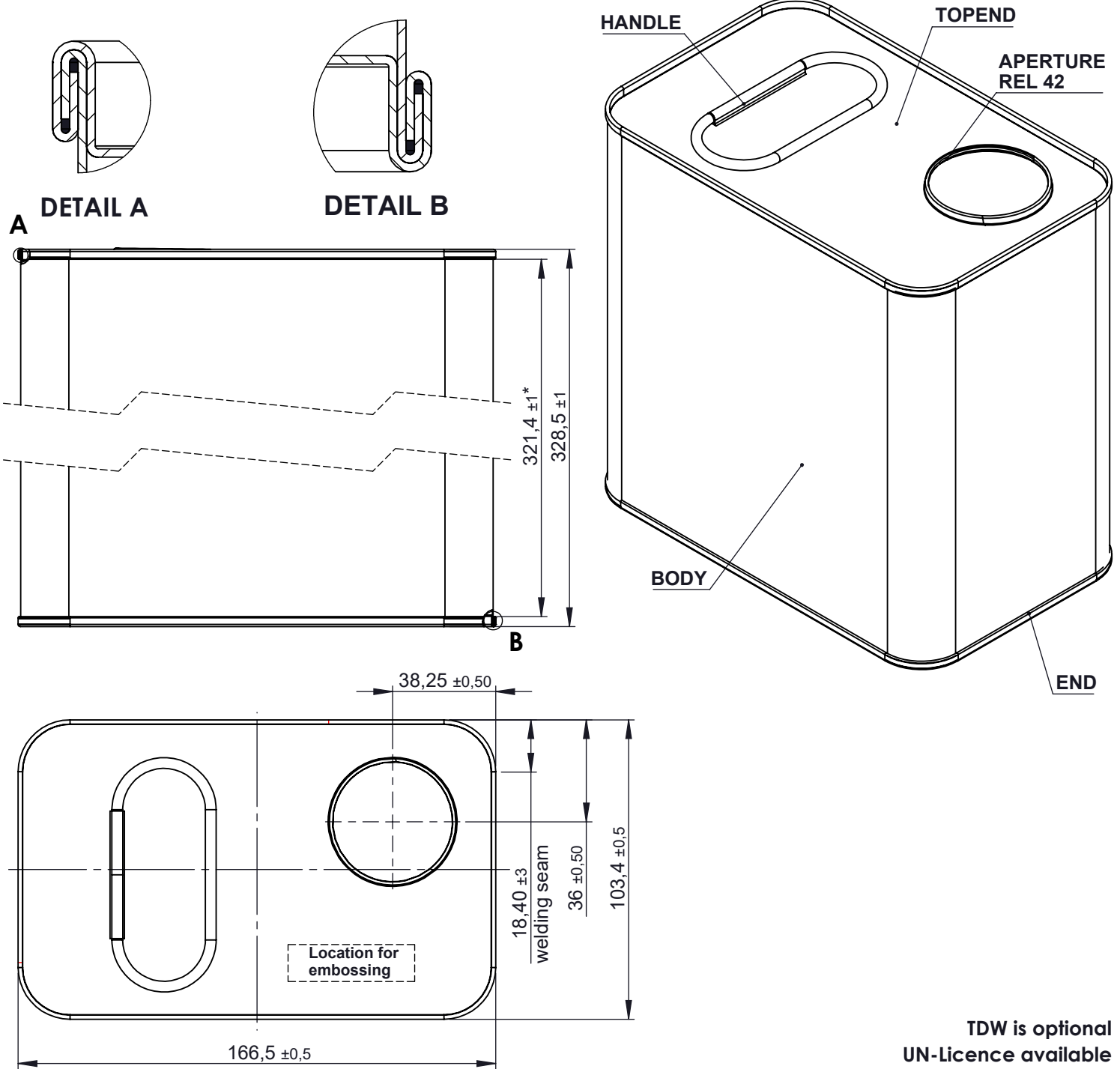


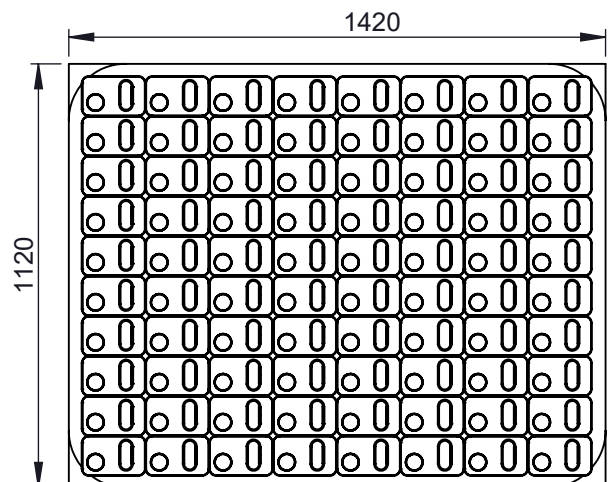
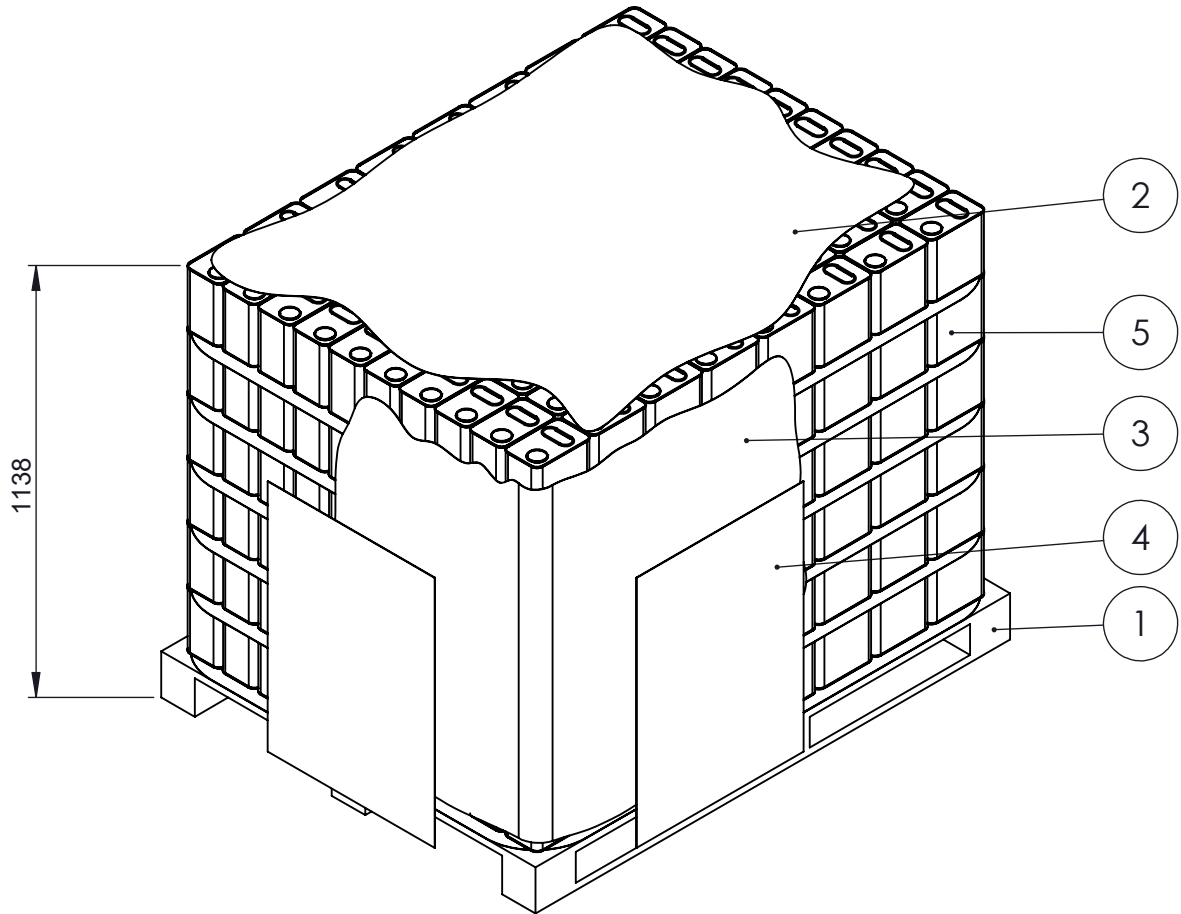
SPECIFICATION SHEET: **5.0 L - #166x103x328 - Canister -**

REVISION :
A



TDW is optional
 UN-Licence available
 not stackable
 *Label height

	BODY	END	TOPEND
MATERIAL	Tinplate to EN 10202		
THICKNESS	0.22	0.3	0.3
TIN COATING	E 2.8 / 2.8		
COATING INTERNAL	Plain / Lacquered / Powder	Plain / Lacquered	Plain / Lacquered
COATING EXTERNAL	Plain / Lacquered / Decorated	Plain / Lacquered	Plain / Lacquered
COMPOUND		Synthetic rubber	Synthetic rubber
INDICATIVE MASS	417 \pm 5% Grams		
LIDDED CAPACITY	5608 ml		



1	1	PALLET (SEE DRAWING)
2	7	CARDBOARD
3	--	FOIL
4	1	LABEL
5	240	TOTAL CANISTERS
	3	LAYERS
	80	CANISTER PER LAYER
	132 kg	WEIGHT