

MATERIAL SPECIFICATION AND FEATURES

Can size: Ø286 x h		Customer: General			
Can type: Conical		Pallet type: Euro			
Top: Ring closed cover 286		Closure: Lever ring closure 286 (system)			
BODY	Material	Tinplate	EAR	Material	Tinplate
	Thickness	0,35		Thickness	0,38
	Tin coating	E2.0/2.0		Tin coating	E2.0/2.0
	Side seam	Welded	BAIL HANDLE	Feature	2 Welded ears
	Side stripe inside	Plain/ powder		Material	Zinc coated wire (3.8 mm)
Coating inside	Plain/ lacquered	Plastic grip	PE, round		
Coating outside	Plain/lacquered/ decorated				
BOTTOM	Material	Tinplate	TOP	Material	Tinplate
	Thickness	0,38		Thickness	0,38
	Tin coating	E2.0/2.0		Tin coating	E2.0/2.0
	Compound type	Synthetic rubber		Cover type	DS286
	Coating inside	Plain/Imcare		Gasket	PVC
Coating outside	Plain/Imcare	Coating inside	Plain/Lacquered		
		Coating outside	Plain/Lacquered		
		Mass (g) +/- 5%	255		
		Approval	None or RID/ADR/0A2/Z35		
CLOSURE	Type	Lever ring closure 286 (system)	PLUG	Type	-
	Feature	With lever		Feature	-
	Material	Galvanized steel		Mass (g)	-
	Thickness	0,75		Material	-
	Mass (g) +/- 5%	139			
	Suitability	DS286			
Approval	None or RID/ADR/0A2/Z35/S				

CAPACITIES, WEIGHTS AND DIMENSIONS

Remark: Tinplate according to EN10202

Nominal height	Conipail type	Maximum capacity(L)	Weight (G) +/- 5%	Factory finished can height(mm)
237,0	BPSC132	13,2	931,0	237 +4/-0
293,0	BPSC165	16,5	1069,0	293 +4/-0
353,0	BPSC201	20,1	1208,0	353 +4/-0
370,0	BPSC212	21,2	1243,0	370 ± 2
378,0	BPSC217	21,7	1266,0	378 +4/-0
390,0	BPSC221	22,1	1283,0	390 ± 2
404,0	BPSC231	23,1	1325,0	404 +4/-0
441,0	BPSC252	25,2	1409,0	441 ± 2
466,0	BPSC270	27,0	1474,0	466 +4/-0

CONTAINER PERFORMANCE

As product compatibility is the responsibility of the customer, Mus Verpakkingen BV gives no fit for purpose warranty and recommends that pack tests are performed prior to filling and would be pleased to provide technical support on this subject prior to purchase

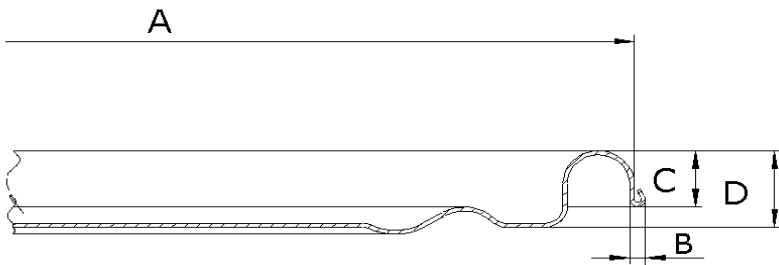
The Quality Assurance System has been approved by Lloyd's Register Quality Assurance ISO 9000

Modification of specifications reserved

Mus Verpakkingen BV	Date:	Size: Ø286 x h	General
	CUSTOMER INFORMATION	29-1-2014	Type: Conical

Appendix: Drawings

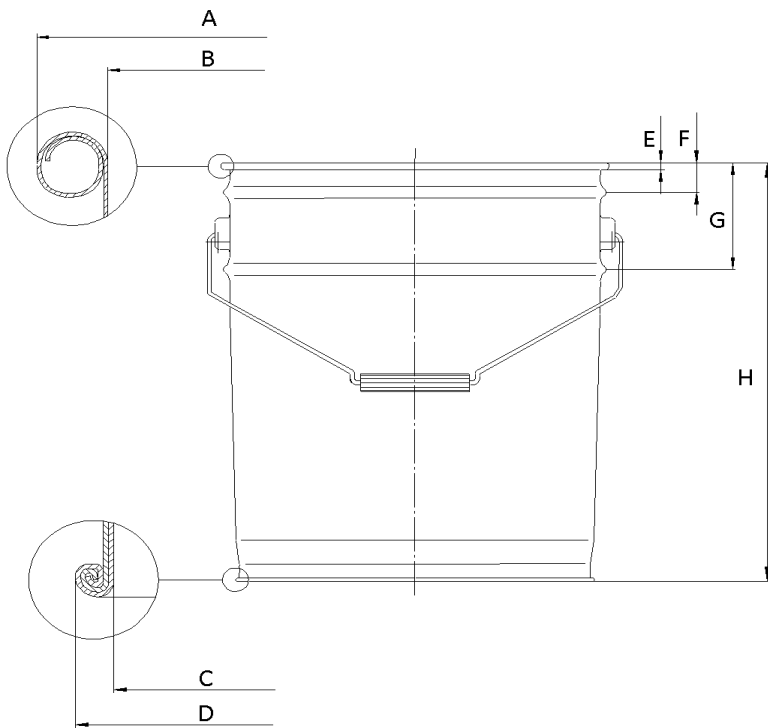
Ring closed cover 286



Dimensions	
A	301.6
B	1.8
C	7
D	9,5
E	-
F	-

Approval	None or RID/ADR/0A2/Z35/S/--/NL/PR569
Suitability	BPSC132 up to BPSC270

CAN DRAWING



Dimensions	
A	300
B	286
C	269
D	276
E	7
F	25
G	90
H	See page 1
J	-
K	-

The Quality Assurance System has been approved by Lloyd's Register Quality Assurance ISO 9000

Modification of specifications reserved

Mua Verpakkingen BV CUSTOMER INFORMATION	Date: 29-1-2014	Size: Ø286 x h	General
		Type: Conical	

Appendix: Closing instructions

No special instructions

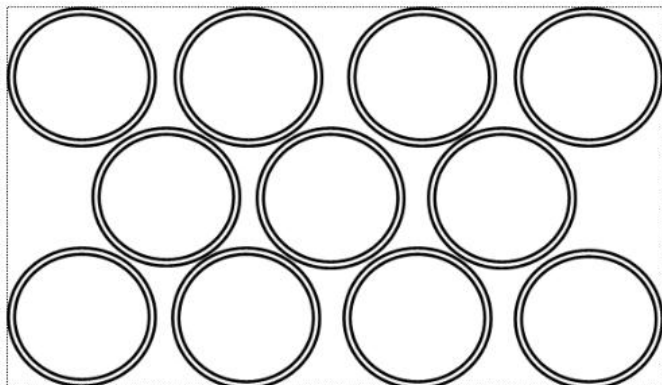
Appendix: Packaging details

Pallet type: Euro
 Packaging method: 11 stacks of cans
 Coverage: Shrink foil

Can height	No. of cans per layer	No. of layers	Total no. of cans per pallet	Total pallet height
237	11 x 10	1	110	1270
293	11 x 9	1	99	1230
353	11 x 9	1	99	1290
370	11 x 9	1	99	1300
378	11 x 9	1	99	1310
390	11 x 9	1	99	1320
404	11 x 9	1	99	1340
441	11 x 8	1	88	1280
466	11 x 8	1	88	1300

Remark(s): -

Pattern



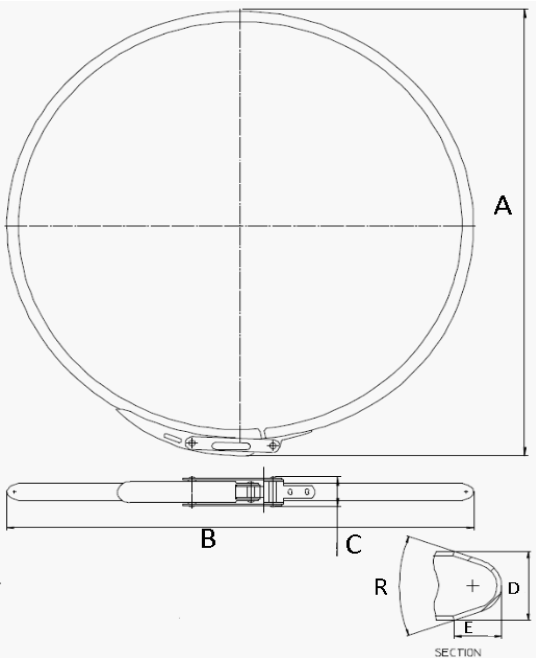
The Quality Assurance System has been approved by Lloyd's Register Quality Assurance ISO 9000

Modification of specifications reserved

Mus Verpakkingen BV CUSTOMER INFORMATION	Date:	Size: Ø286 x h	General
	29-1-2014	Type: Conical	

Appendix: Additional information

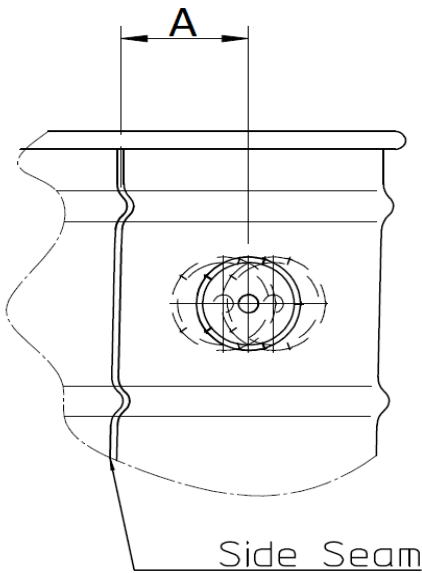
Closure: Lever ring closure 286 (system)



Dimensions

A	319,8
B	307
C	22
D	12,3
E	7,7
R	40°

Bail ear position



Bail ear position

A	35 ± 10
---	---------

The Quality Assurance System has been approved by Lloyd's Register Quality Assurance ISO 9000

Modification of specifications reserved

Mus Verpakkingen BV CUSTOMER INFORMATION	Date: 29-1-2014	Size: Ø286 x h	General
		Type: Conical	